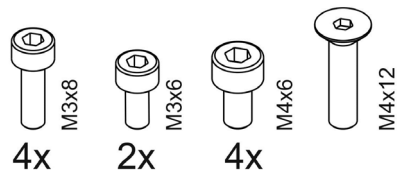
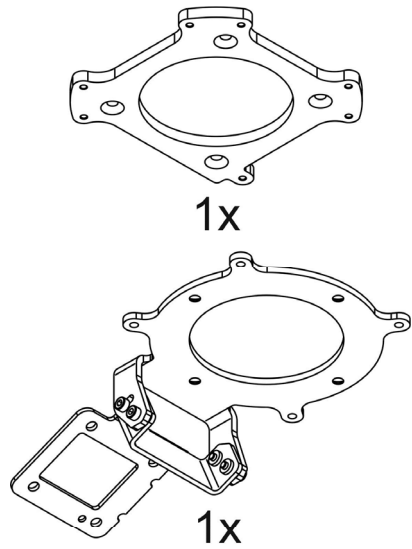




BRACKET AREX™ 400

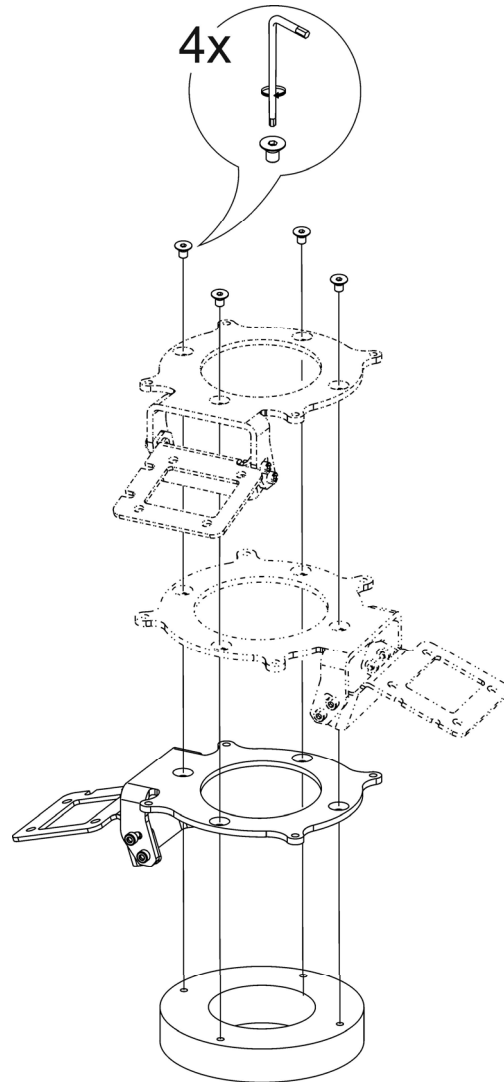
INSTRUCTION MANUAL



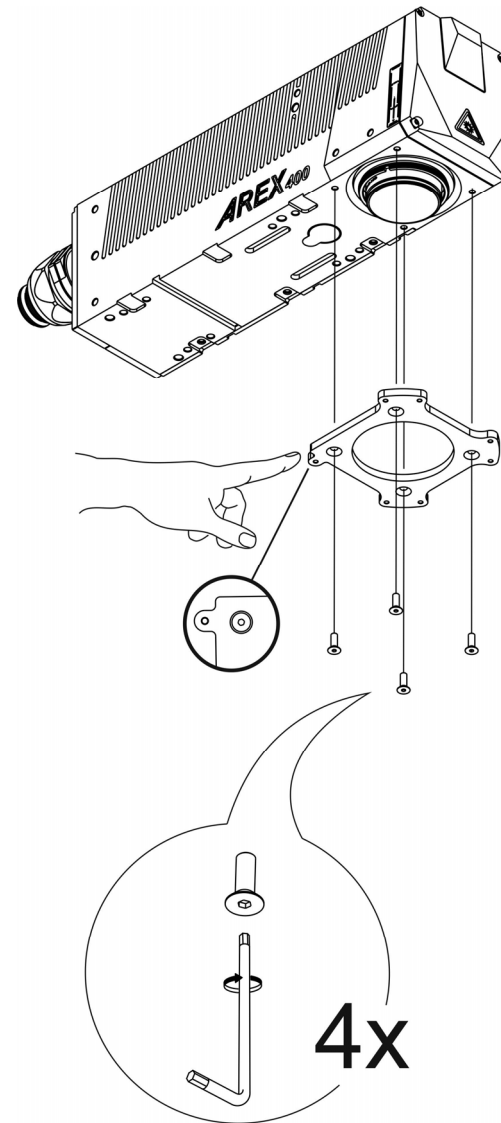
4x *(for LED Ring Light ID only)

MECHANICAL INSTALLATION

Fix the LED Ring Light ID to the bracket (optional):

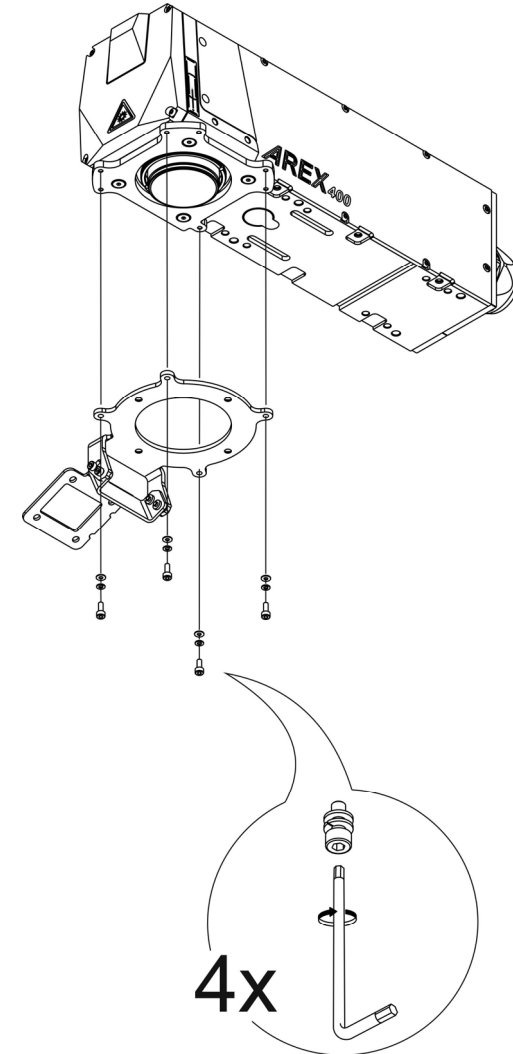


Fit the adjustment plate to the laser marker using the M4x12 screws:

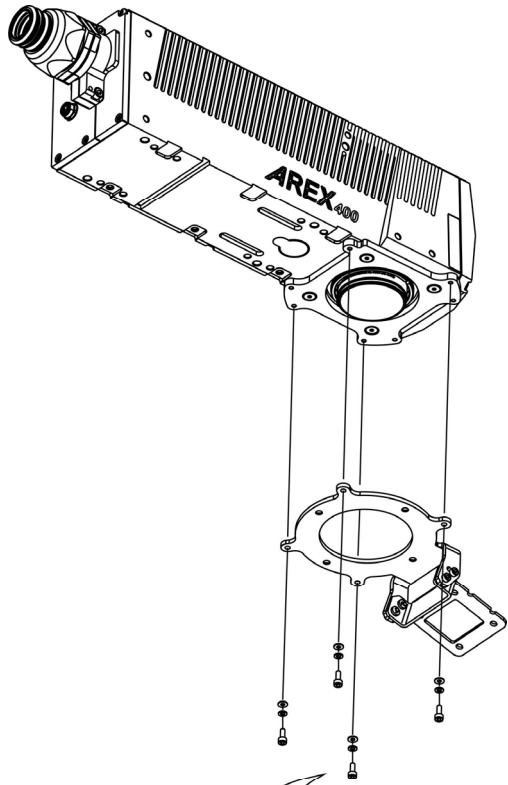


Fix the bracket to the adjustment plate using the M3x8 screws. The bracket can be fixed in three different positions allowing the MATRIX™ to be positioned laterally or frontally:

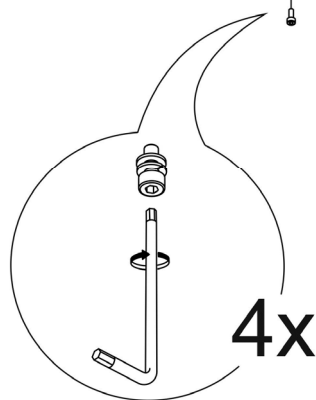
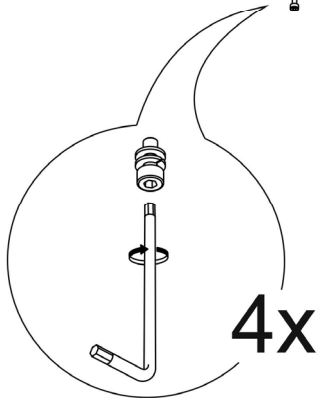
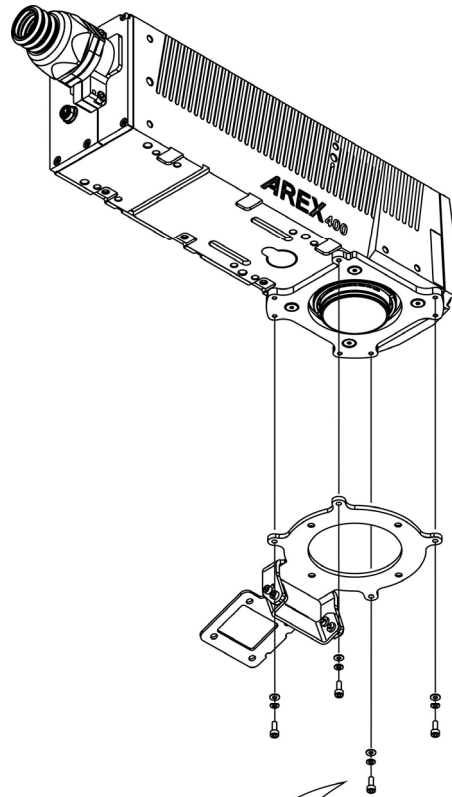
LEFT SIDE POSITIONING



FRONT SIDE POSITIONING

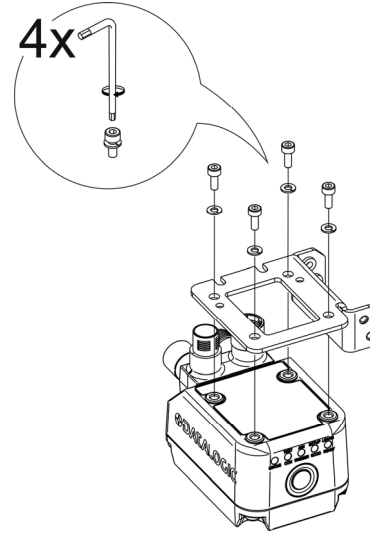


RIGHT SIDE POSITIONING



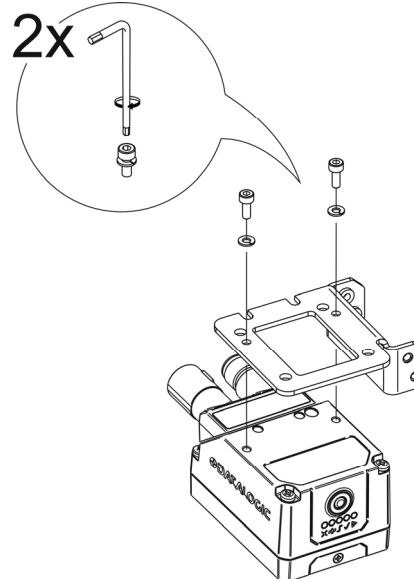
MATRIX 300N™ INSTALLATION

Fix the Matrix™ to the bracket using the M4x6 screws:



MATRIX 220™ INSTALLATION

Fix the Matrix™ to the bracket using the M3x6 screws:



FINAL ADJUSTMENT

Adjustment of the bracket is possible by acting on the screws as shown in the figure:

